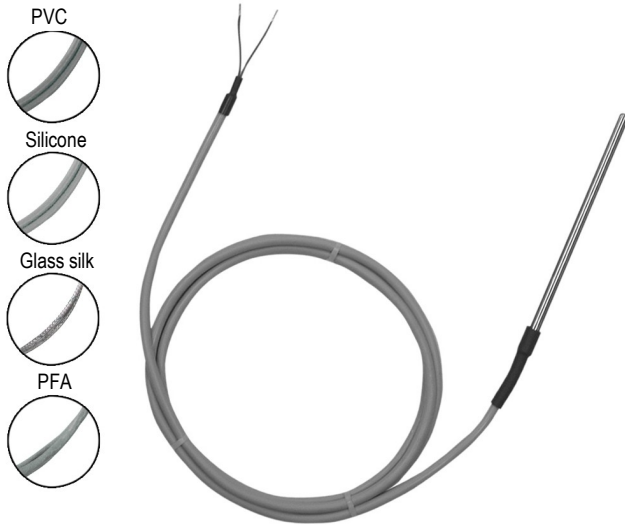


Temperature probe with cable

SF 50 / SFD 50



TRANSMITTER FEATURES

Working temperature (According to cable)	From -50 °C to +400 °C (PT100 and PT1000) From -20 °C to +120 °C (NTC)
Accuracy *	PT100 or PT1000: see "Tolerances" table NTC: see "Tolerances" table
Type of sensor	PT100 or PT1000: class B, class A and 1/10 DIN as per DIN IEC751 NTC: resistance at 25 °C, $R_{25} = 10K\Omega$ Nominal Beta value B25/85 = 3.695K ±1%
Storage temperature	From -20 °C to +80 °C
Working temperature of the cable	PVC: from -40 °C to +120 °C Silicone: from -50 °C to +180 °C PFA: from -50 °C to +260 °C Glass silk with stainless steel sheet: from -50 °C to +400 °C
Probe	316 L stainless steel, watertight crimping with heat shrink tubing. (Except glass silk cable with standard mounting on stainless steel duct)

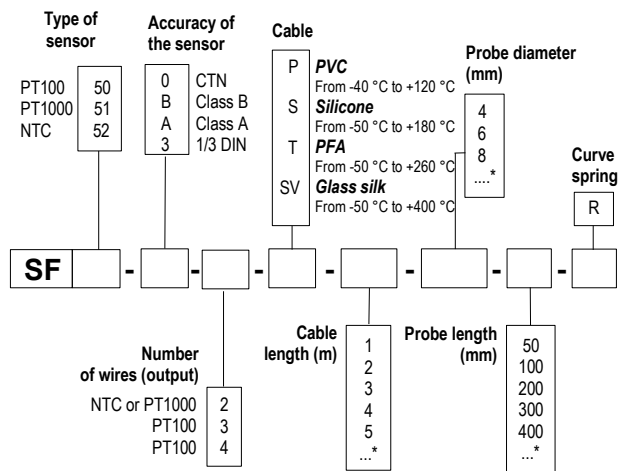
PROBE FEATURES

- Stainless steel temperature probes with conductive cable.
- Measuring range (according to cable)
From **-50 °C to +400 °C (PT100 and PT1000)**.
From **-20 °C to +120 °C (CTN)**.
- 2 wires for NTC and PT1000 outputs,
3 or 4 wires for PT100 output.
- For other resistance types PT25, PT50, PT500, PT200 or NI, please contact us.

*all accuracies indicated in this technical datasheet were stated in laboratory conditions, and can be guaranteed for measurements carried out in the same conditions, or carried out with calibration compensation.

PART NUMBERS

• SF 50 – Single pair probe

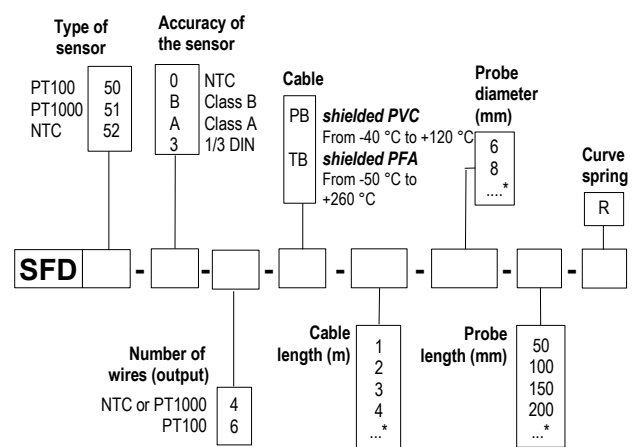


* Other length available on request

Example: SF51-B-2-P-1-4-100

Model: Temperature probe PT1000 Class B, 2 wires, PVC cable of 1 m length. Stainless steel protective sheath 4 mm Ø, length 100 mm without curve spring. Measuring range from -40 to +120 °C.

• SFD 50 – Multipair Probe

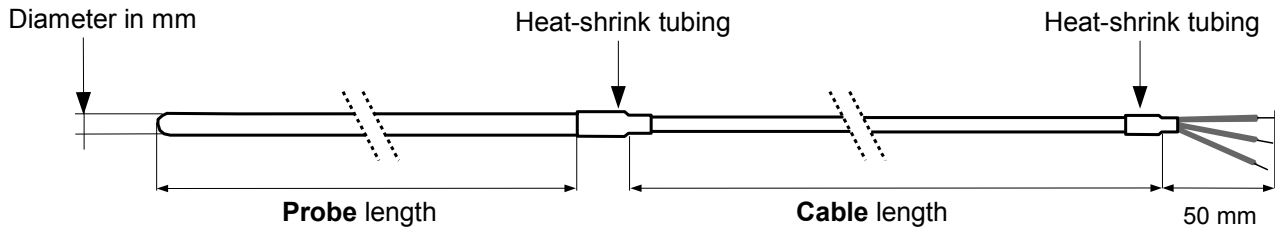


* Other length available on request

Example: SFD51-B-4-PB-1-6-100

Model: Temperature probe PT1000 Class B, 4 wires, shielded PVC cable of 1 m length. Stainless steel protective sheath 4 mm Ø, length 100 mm without curve spring. Measuring range from -40 to +120 °C.

PROBES DIMENSIONS



TOLERANCES OF PT100 AND PT1000 PROBES

Norms as per IEC 751 (1993).

Temp °C	Tolerances					
	Class B		Class A		1/3 DIN	
	± °C	± Ohms	± °C	± Ohms	± °C	± Ohms
-100	0.8	0.32	0.35	0.14	0.27	0.11
-50	0.55	0.22	0.25	0.1	0.19	0.08
0	0.3	0.12	0.15	0.06	0.1	0.04
100	0.8	0.3	0.35	0.13	0.27	0.1
200	1.3	0.48	0.55	0.2	0.44	0.16
300	1.8	0.64	0.75	0.27	0.6	0.21
400	2.3	0.79	0.95	0.33	0.77	0.26

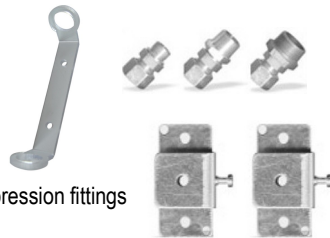
Resistance values for PT1000 (Ω) must be multiplied by 10 for the same corresponding temperature value ($^{\circ}\text{C}$). I.e: at 0°C for Class B PT1000 $\pm 0.3^{\circ}\text{C} \rightarrow \pm 1.2 \Omega$

TOLERANCES OF NTC PROBES

Measuring range °C	Tolerances °C
From -20°C to 0°C	$\pm 0.5^{\circ}\text{C}$
From 0°C to $+70^{\circ}\text{C}$	$\pm 0.2^{\circ}\text{C}$
From $+70^{\circ}\text{C}$ to $+100^{\circ}\text{C}$	$\pm 0.5^{\circ}\text{C}$

ACCESSORIES (SEE DATASHEET)

- Transmitter output 4/20 mA or 0/10 V
- Wall fixing support
- Stainless steel mounting brackets
- $\frac{1}{4}$ " or $\frac{1}{2}$ " Gas screw nut
- Stainless steel compression fitting
- PTFE or stainless steel ferrule for compression fittings



- Sleeve to weld for food industry
- Stainless steel union fitting
- $\frac{1}{2}$ " Gas or NPT thread cuff
- Thermo-conducting silicone grease
- Calibration certificate
- Thermowell



www.kimo.fr

Distributed by :



EXPORT DEPARTMENT

Tel : + 33. 1. 60. 06. 69. 25 - Fax : + 33. 1. 60. 06. 69. 29

e-mail : export@kimo.fr